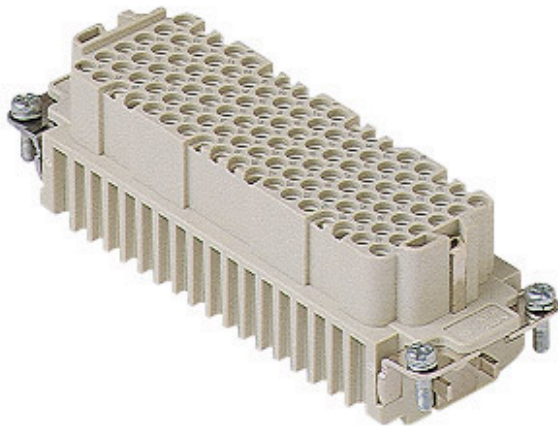


Part number

CDDF 108



Brief description:

female insert, 108 poles + PE, crimp connections, 10A, 250V, 4kV, 2, size "104.27", CLASS insert series

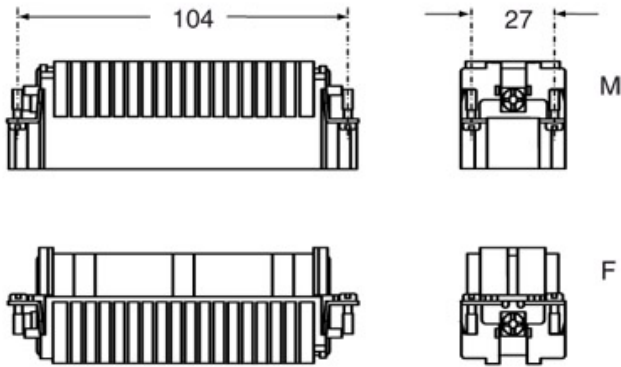
Product description		Approvals / Standards	
Model	female insert	Reference standard	EN 61984 (2001-11)
Version	crimp connections	Quality mark	EAC
Series	CDD	Conformity	CQC, CE
Product type	for female contacts 10A	General ordering information	
Family	CLASS inserts	EAN13 code	8015747013598
Size	size "104.27"	Tariff number	85369095
N. of poles	108 poles +	Country of origin	Made in EU (IT)
Technical data		ETIM classification	EC000438
Current	10 A	Packaging Information	
Voltage	250 V	Packaging length	210,00 mm
Rated impulse withstand voltage	4kV	Packaging height	130,00 mm
Pollution degree	2	Packaging width	240,00 mm
Operating temperature range (min, max)	-40°C ... +125°C	Packaging weight	2,37 kg
Mating cycles	≥ 500	Packaging volume	6,55 dm ³
IP degree of protection	IP20 without enclosure; IP65/IP66/IP67/IP68 with enclosure	Packaging description	Carton box
PE connection type	Screw	Packaging quantity	30 Pcs
PE terminal stripping length	7 mm	Packaging EAN code	8015747013604
PE wire cross-section	0,14 - 4 mm ² ; AWG 20 - 12	Sub-packaging weight	0,40 kg
Tightening torque for PE connection	M4: 1,2 Nm, 10,6 lb.in (Ph2 or 1,0x5,5mm)	Sub-packaging description	Carton
Further technical details		Sub-packaging quantity	5 Pcs
Characteristics according to EN 61984	10A 250V 4kV 2	Sub-packaging EAN barcode	8015747013611
Insulation resistance	≥ 10 GΩ		
Contact resistance	≤ 3 mΩ		
Rated voltage according to UL/CSA	600V		
UL 94 flammability rating	V-0		
Main contacts stripping length	6 - 8 mm		
Tightening torque for fixing screws	M3: 0.5 Nm; 4.4 lb.in (Ph1 or 0.8x4 mm)		
Weight	80,00 g		

Part number

CDDF 108



Catalogue drawings



Catalogue drawings

